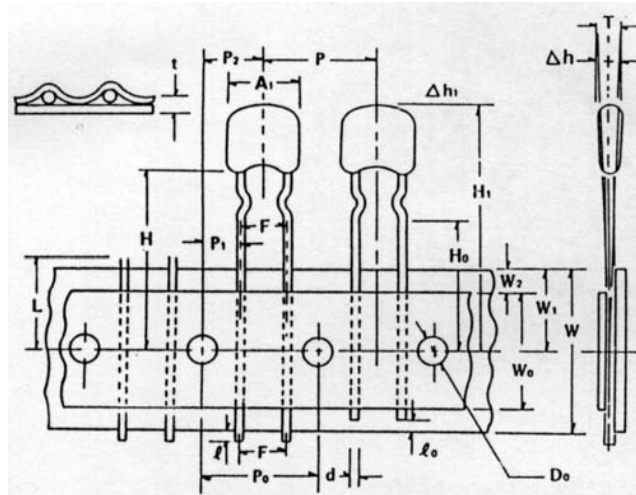


TAPING ON REELS OR AMMO PACKING FOR AUTOMATIC INSERTION

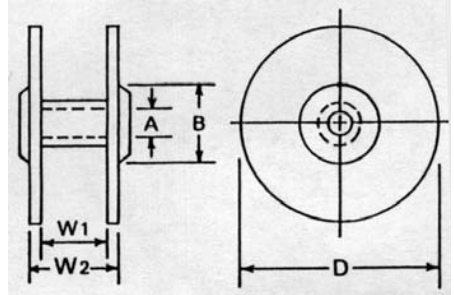
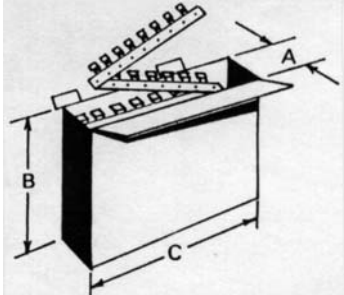


Unit: mm			
Letter	Dimension	Letter	Dimension
A	Under 10.0	W ₀	Above 12.5
B	Ref. Bulk catalog	W ₁	9.0 + 0.75 / - 0.5
C	Ref. Bulk catalog	W ₂	Under 3
P	12.7 ± 1.0	H	20.5 ± 0.75
P ₀ *	12.7 ± 0.3	H ₀	16.0 ± 0.50
P1 P2	3.85 ± 0.7 6.35 ± 1.3	l	Under 2
d	0.5 / 0.6	D ₀	4.0 ± 0.3
F	5.0 + 0.8 / - 0.2	t	0.7 ± 0.2
Δh	0 ± 2.0	L	Under 11
W	18.0 + 1.0 / - 0.5		

Remark:

- Allowance of accumulated pitch less than 1mm at the sum of 20 pitches.
- Continuous empty component less than 3 pcs.
- Total empty on one reel less than 1%

PACKING SPECIFICATIONS

<p>PACKING TYPE</p>				
<p>DIMENSIONS UNIT:MM</p>	<p>A</p>	<p>14 ~ 30</p>	<p>A</p>	<p>50 +5 / -2</p>
	<p>B</p>	<p>80 min</p>	<p>B</p>	<p>260 ± 2</p>
	<p>C</p>	<p>370 max</p>	<p>C</p>	<p>330 ± 2</p>
	<p>W₁</p>	<p>45 +5 / -2</p>		
	<p>W₂</p>	<p>55 max</p>		
<p>PACKING Q'TY PER REEL/BOX</p>	<p>c ≤ 0.018 1500pcs</p>	<p>c > 0.018 1000pcs</p>	<p>c ≤ 0.022 1500pcs</p>	<p>c > 0.022 1000pcs</p>